

# NSB Shaft Bottom Light



The NSB Shaft Bottom Light is designed to provide superb light distribution with its specially placed array of LED's and clear polycarbonate lens. The robust water and dust proof design makes the luminaire suitable for underground and surface areas. The NSB Shaft Bottom Light continues the proud heritage of NORDLAND LIGHTING's quality standards.



**NORDLAND LIGHTING®**

## NSB Shaft Bottom Light

**Applications:** Shafts & Wash Bay Lighting.

**Housing:** Body manufactured from polycarbonate with a UV stabilized smooth clear flame retardant polycarbonate lens. The clear lens allows for maximum 360° light output.

\*Housing sealed and non-maintainable.

**Steel Cage:** Available separately on request.

**Luminaire:** The luminaire comes with a tail and IP68 inline connector for power.

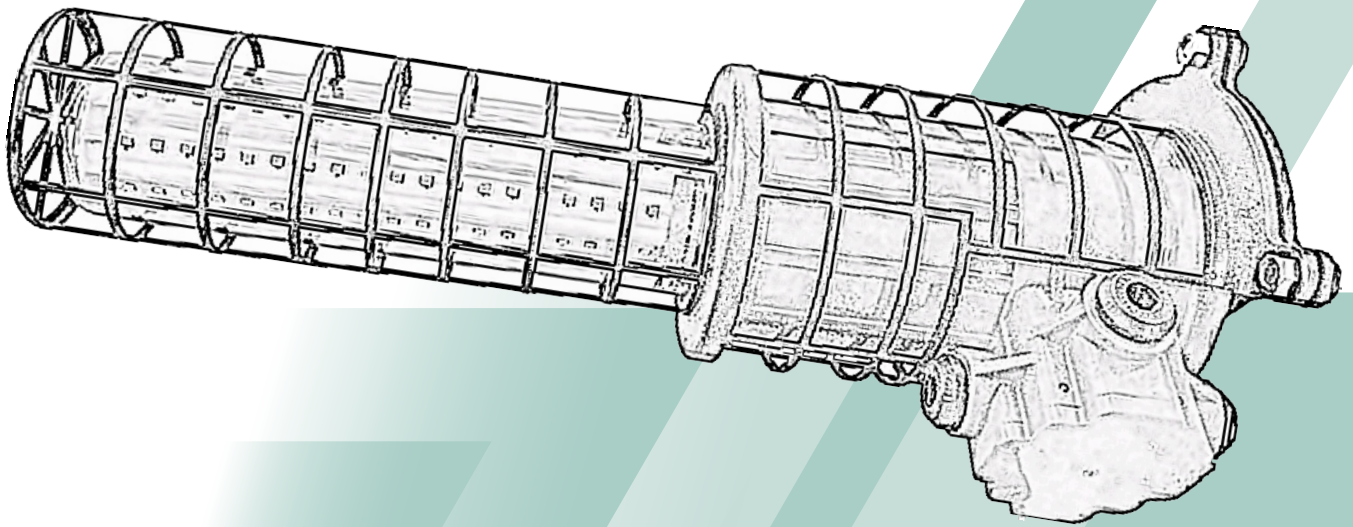
**Lamps:** 22W LED.

**Control Gear:**

**LED:** 12VDC, 24VDC, 24VAC - 32VAC, 50/60Hz

**Mounting:** The installation is done via a powered IP68 inline connector.

**Rated Lifetime:** LED Rated 50 000 Hr.



<b>Model Name</b>	<b>NSB Shaft Bottom Light</b>
<b>Rated Wattage(W)</b>	22W
<b>Luminous Efficacy (system)</b>	127lm/W
<b>Luminous Flux (system)</b>	2789lm
<b>Beam Angle</b>	360°
<b>Colour Temperature</b>	6500K
<b>Colour Rendering Index</b>	>Ra80
<b>Rated Voltage</b>	12VDC, 24VDC, 24VAC - 32VAC, 50/60Hz
<b>Ingress Protection Grade</b>	Temporarily Submersible
<b>Power Factor</b>	0,94
<b>Rated Lifetime</b>	>50 000 Hr.
<b>Dimensions</b>	Diameter x L 115x440mm

Nordland reserves the right to change any specification or design without prior notice.