

NBV Bulkhead



The **NBV Bulkhead** is manufactured from die-cast aluminium and is a stylish, economical and energy efficient compact fluorescent or LED luminaire. Robust design suitable for industrial and/or public buildings. Ceiling or wall mounted and suitable for indoor and outdoor applications. Can also be used as a Emergency EXIT sign. The **NBV Bulkhead** continues the proud heritage of NORDLAND LIGHTING's quality standards.



NORDLAND LIGHTING

NBV Bulkhead

Applications: Subway Lighting, Stairways Lighting, Corridor Lighting, Landings, Ramps, Public Buildings.

Body Housing: Manufactured from LM6 die cast aluminium. Finished in white epoxy powder coated.

Diffuser: One piece injection-moulded from clear impact and thermal resistance UV stabilized polycarbonate with internal prisms and smooth exterior.

Gasket: Captive silicone gasket provides seal for outdoor use. Ideal for wet or dust locations.

Lamp holder: Only 2G11 type linear compact fluorescent lamps are suitable.

Control Gear: 230V electronic control gear and capacitors are used with terminal block suitable for 4mm².

Lamps: The bulkhead can be supplied with one 11W or one 18W linear compact fluorescent lamp as well as with a 8W LED strip.

Note: Lightning Protection: All electronic products such as light fittings and computers are subject to violent destruction when struck by lightning. An independent lightning protection device, well earthed, needs to be inserted in the supply line before the lighting circuit, where any electronic control gear is used in light fittings. Control gear damaged by lightning is not covered under guarantee.

Screws: Two captive stainless steel screws operate through the diffuser flange for easy location.

Conduit entry: Single compression gland.

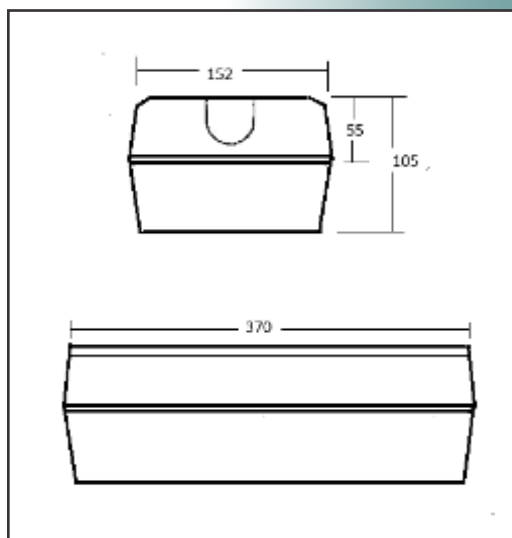
Emergency Mode: The bulkhead is suited for use as a self-contained LED emergency lighting luminaire. Internal inverter charger and battery pack, are mounted on the control gear tray. Maintained and non-maintained modes.

Emergency Duration: 3 Hours or 6 Hours

Ingress Protection: IP55 after installation.

Photometric Data: Photometric files available on request.

Warranty: 1 Year



Model Name	Wattage	Dimensions			Mass (Kg)
		Length (mm)	Width (mm)	Height (mm)	
NBV 1x11W CFL	11W	370	152	55	2.17
NBV 1x18W CFL	18W	370	152	55	2.08
NBV 8W LED	8W	370	152	55	2.06

Nordland reserves the right to change any specification or design without prior notice.

Tel: 011 662-4300 | Fax 011 662-4319 | sales@nordland.co.za | www.nordland-lighting.com



NORDLAND LIGHTING