

NHP/NHDP High Bay

Zone 2, 21 & 22



NHP



NHDP

The **NHP/NHDP High Bay** luminaire range is a high-performance industrial DMC, glass fibre reinforced polyester luminaire with a enclosed aluminium reflector certified for Zone 2, 21 & 22 hazardous areas and designed to satisfy a wide range of industrial applications. The **NHP/NHDP High Bay** continues the proud heritage of NORDLAND LIGHTING's quality standards.



NORDLAND LIGHTING

NHP/NHDP High Bay

Applications: Zone 2, 21 & 22 hazardous areas, **NHDP** also suitable for use in food processing and hygiene manufacturing facilities.

Control Gear Box: DMC Glass fibre reinforced polyester, compression moulded in two sections. Urethane coating for extra corrosion protection in chemical atmospheres.

Gasket: Silicon gasket for long life, and chemical resistance.

Control Gear Tray: A galvanised control gear tray, mounted into the top of the control gear housing, which carries the weight of the control gear.

Control Gear: Options are High Pressure Sodium; Metal Halide, and Mercury Vapour.

Ignitor: A timed ignitor with cut out, prevents continuous striking when the lamp becomes faulty. Requires switching after a lamp change.

Lamps: The reflector is designed for optimum efficiency using elliptical lamps with E40 thread.

Lamp holder: The E40 lamp holder has an anti-vibration device to prevent the lamp becoming loose.

Note: Lightning Protection: All electronic products such as light fittings and computers are subject to violent destruction when struck by lightning. An independent lightning protection device, well earthed, needs to be inserted in the supply line before the lighting circuit, where any electronic control gear is used in light fittings. Control gear damaged by lightning is not covered under guarantee.

Reflector:

NHP: A 4mm thick tempered plate glass is spun into the bright anodised aluminium reflector. Gasketing insures the IP66 rating.

NHDP: A 4mm thick tempered armour plate glass with protective polycarbonate dome is spun into the bright anodised aluminium reflector. Gasketing ensures the IP66 rating.

Cable Entry: Supplied with a compression gland as standard.

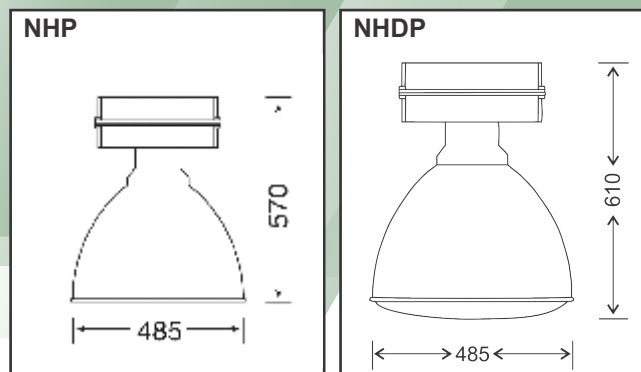
Mounting: Blind M6 inserts in the lid section, take either suspension hooks which are supplied, or a flat mounting bracket for ceiling mounting.

Ambient Temperature Rating: -20°C - +40°C

Ingress Protection Grade: IP66

Photometric Data: Photometric files available on request.

Warranty: 1 Year



Ex-mark:

Ex nA nR IIC T3 Gc IP66
Ex tb IIIC T200°C Db IP66

Model Name	Wattage (W)	Mass (Kg)
NHP/NHDP 250 W HPS/Ex n	250 W	12.0
NHP/NHDP 400 W HPS/Ex n	400 W	12.5
NHP/NHDP 250 W MH/Ex n	250 W	12.0
NHP/NHDP 400 W MH/Ex n	400 W	12.5
NHP/NHDP 250 W MV/Ex n	250 W	11.0
NHP/NHDP 400 W MV/Ex n	400 W	12.0

Nordland reserves the right to change any specification or design without prior notice.

