

NHZ Handheld

Zone 1 & 2



The NHZ - Ex d IIB Handheld luminaire is certified for Zone 1 & 2 hazardous areas (Surface only) and designed to provide superb light distribution with its specially placed array of LED's and clear polycarbonate lens. The robust water and dust proof design makes the luminaire suitable for underground and surface areas. The luminaire is supplied pre-wired with 10m cable. The NHZ - Ex d IIB Handheld luminaire continues the proud heritage of NORDLAND LIGHTING's quality standards.



NORDLAND LIGHTING®

NHZ Handheld Zone 1

Applications: A general-purpose handlamp for surface Hazardous Zones (1,2) and non Ex, industrial areas on surface and underground.

Housing: Body manufactured from polycarbonate with a UV stabilized smooth clear flame retardant polycarbonate lens. The clear lens allows for maximum 360° light output.

Gasket: The rubber gasket between the lens and body provides a IP65 seal.

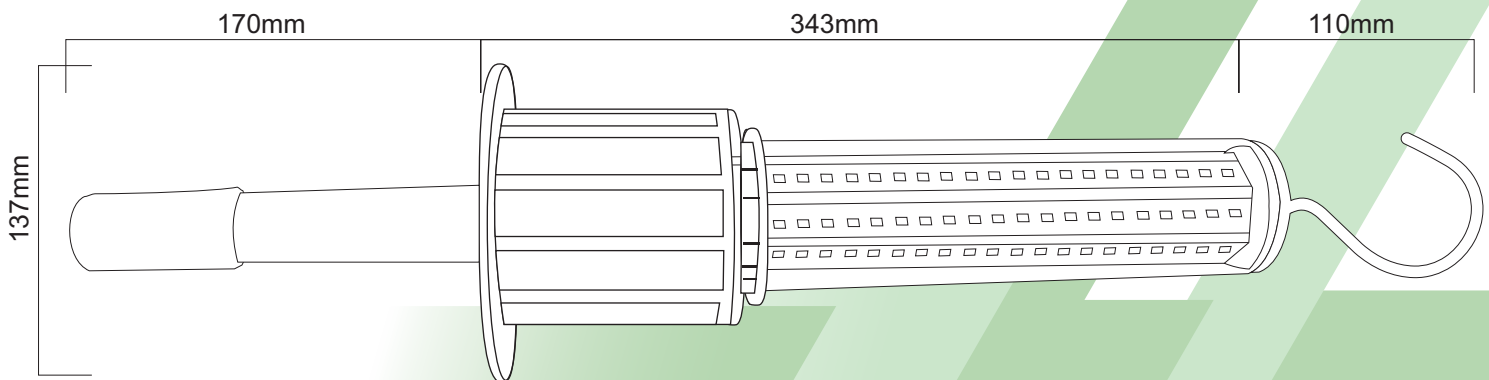
Steel Cage: Available separately on request.

Installation: Supplied with pre-wired cable and unique magnetic mounting hook. (The hook can be easily removed if not required).

Lamps: 22W LED

Control Gear: 100VAC/250VAC, 50/60Hz

Rated Lifetime: LED Rated 50 000 Hr.



Model Name	NHZ Handheld Zone 1
Rated Wattage(W)	22W
Luminous Efficacy (system)	127lm/W
Luminous Flux (system)	2789lm
Beam Angle	360°
Colour Temperature	6500K
Colour Rendering Index	>Ra80
Rated Voltage	100VAC/250VAC, 50/60Hz
Ingress Protection Grade	IP65
Rated Lifetime	>50 000 Hr.
Dimensions	Diameter x L 137x627mm
Classification	Surface Zone 1 - Zone 2 (Gas) IIB
Ex-mark	Ex d IIB Gb T6

Nordland reserves the right to change any specification or design without prior notice.