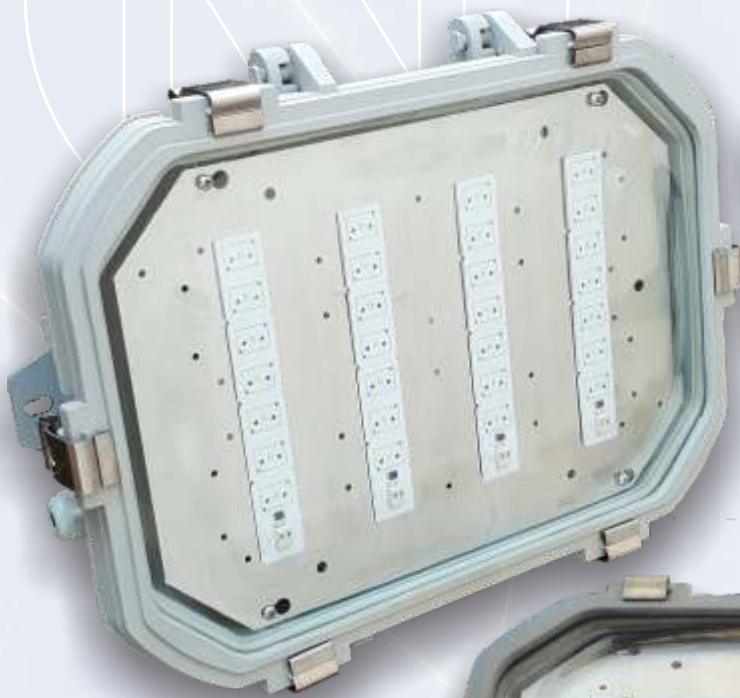


NGB LED Bulkhead



NGB - QS LED



NGB LED



NGB - HB LED

The **NGB LED Bulkhead** luminaire range is a high-performance industrial die-cast aluminium luminaire that has been designed to satisfy a wide range of industrial and architectural applications. It is available in various LED wattages. It is suitable for wall, ceiling, bracket and pole mounting. The **NGB LED Bulkhead** continues the proud heritage of NORDLAND LIGHTING's quality standards.



NORDLAND LIGHTING®

NGB LED Bulkhead

Applications: All non-hazardous areas, Industrial sites, Security, Conveyor, Public Buildings and Various Mining areas.

Body: High pressure die-cast LM 6 aluminium.

Lens: Heavy duty toughened smooth clear glass, fitted into a die-cast aluminium frame.

Frame: The frame is fitted with 6 spring stainless steel fingertip latches which hold the frame in position. The hinged frame is reversible for easy installation.

Gasket: Round silicone sponge gasket retained within a recess in the cast aluminium base to ensure total sealing.

Control Gear: Aluminium gear tray houses the constant current LED driver and LED strips.

Screws: All external screws are made of stainless steel.

LED: The bulkhead is designed to operate with various LED wattages. Optics are available on request to achieve various light distributions.

Note: Lightning Protection: All electronic products such as light fittings and computers are subject to violent destruction when struck by lightning. An independent lightning protection device, well earthed, needs to be inserted in the supply line before the lighting circuit, where any electronic control gear is used in light fittings. Control gear damaged by lightning is not covered under guarantee.

Cable Entry: The bulkhead is supplied with a single compression gland for cable diameter 8-11mm.

Mounting: The body incorporates lugs which provides a variety of mounting options such as, Wall / Ceiling Brackets, Anti-vibration mountings, pole mounting brackets and an angled post-top bracket.

Ambient Temperature Rating: -10°C - +35°C

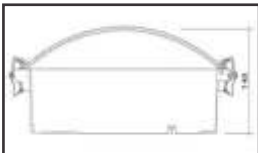
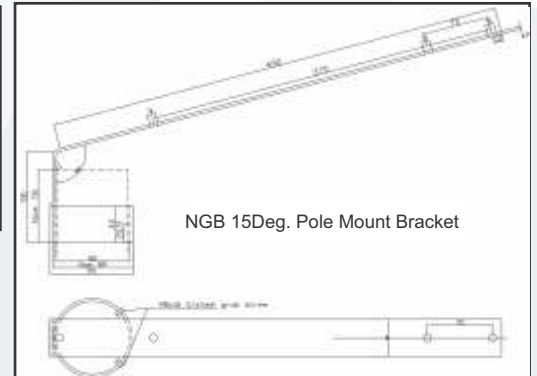
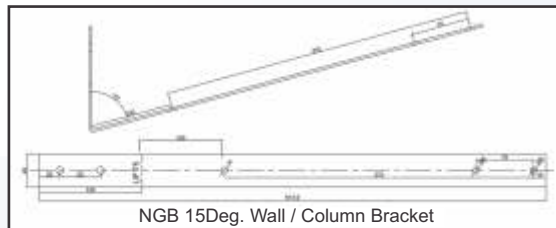
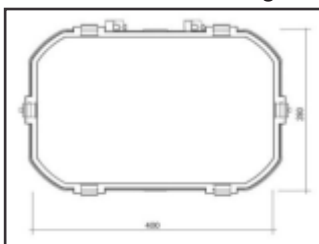
Ingress Protection Grade: IP65

Emergency Mode: Emergency options available on request.

Features: The luminaires have a venting element to avoid high humidity and condensation inside the enclosure. The venting element is made from flame retardant polyamide PA6 with high quality breathable and watertight PES membrane to enable high protection grade of >IP65.

Photometric Data: Photometric files available on request.

Warranty: 5 Year



Please Note:
Wired gear trays are available separately for all the below mentioned models.

| Model Name | NGB LED | NGB - HB LED | NGB - QS LED |
|----------------------------|--|---------------|---------------|
| Amperage | 500mA | 700mA | 700mA |
| Rated Wattage(W) | 35W | 47W | 57W |
| Luminous Efficacy (system) | 125lm/W | 125lm/W | 139lm/W |
| Luminous Flux (system) | 4375lm | 5879lm | 7942lm |
| Colour Temperature | 4000K | 4000K | 4000K |
| Colour Rendering Index | >Ra80 | >Ra80 | >Ra80 |
| Rated Voltage | 220V-240V AC, 50/60Hz | | |
| Ingress Protection Grade | IP65 | | |
| Ambient Temperature | -10°C to +35°C | | |
| Power Factor | >0,9 | | |
| Rated Lifetime | 50 000 Hr. | | |
| Installation | Wall, Ceiling, Bracket and Pole mounting | | |
| Dimensions | L x W x H | L x W x H | L x W x H |
| | 400x280x148mm | 400x280x148mm | 400x280x148mm |
| Weight | 5.8kg | 5.8kg | 5.8kg |

Nordland reserves the right to change any specification or design without prior notice.