

NFL-HP LED Floodlight



900W



470W / 600W



300W

The **NFL-HP LED Floodlight** luminaire is aimed to provide superb lighting distribution with special designed optic lenses. This luminaire is used as a floodlight for sport stadiums, area lighting etc. The Floodlight is designed to replace the conventional HID light sources and suitable for bracket mounting. Modern design, simple and exquisite smooth lines, energy efficient with high performance, low maintenance and long life span. The **NFL-HP LED Floodlight** continues the proud heritage of NORDLAND LIGHTING's quality standards.



NORDLAND LIGHTING

NFL-HP LED Floodlight

Applications: Sports Stadiums / High Mast Area Lighting / Parking / Toll Plaza / Recreational Sports.

Housing: Manufactured from aluminium alloy powder coated black, with a heavy duty toughened IK08 smooth clear glass refractor, and polycarbonate optical lens fitted into the aluminium alloy housing.

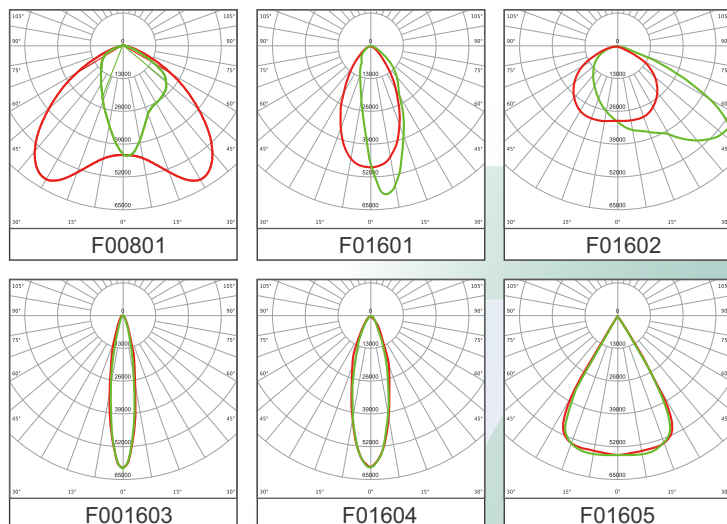
Gasket: The silicone sponge gasket between the glass and housing provides a IP66 seal for outdoor use.

Mounting: The body incorporates an aluminium alloy stirrup, powder coated black.

Floodlight Rotation / Tilt Angles: The modules are connected by a rotation axis. Each module have a 70° rotating range, while two or more modules can be rotated by 40°. This remarkable solution engineered for different requirement in outdoor lighting applications.

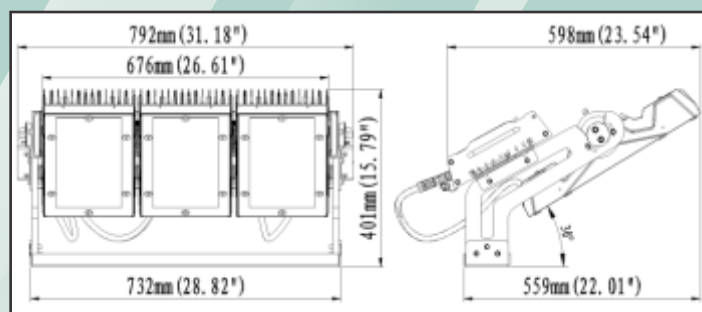
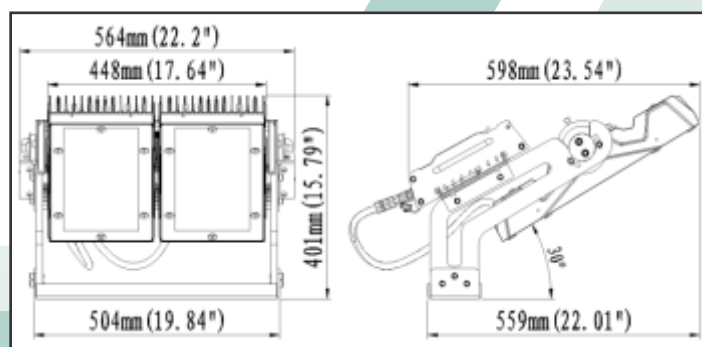
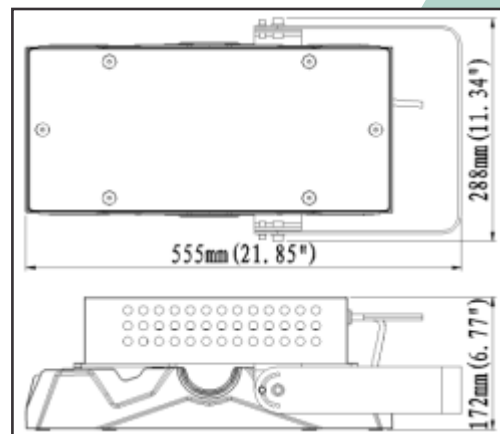
Beam Angles: The optic lenses allows for various light distributions such as narrow, medium and wide.

Photometric Data:



Dimmable: Dali dimmable and Non-dimmable available on request.

Warranty: 5 Years



Model Name	NFL-HP LED Floodlight			
Rated Wattage(W)	300W	470W	600W	900W
Luminous Flux(LM)	40500lm	58750lm	78000lm	117000lm
Luminous Efficiency	135lm/W			
Colour Temperature	5000K (3000K,4000K Optional)			
Colour Rendering Index	Ra70 (Ra80 Optional)			
Rated Voltage	100V-240V AC, 50/60Hz,10kV surge protection			
Ingress Protection Grade	IP66			
Ambient Temperature	-30°C to +50°C			
Power Factor	>0,92			
Rated Lifetime	50 000 Hr. (Ta=30°C@L70)			
Installation	Bracket mounting			
Beam Angle	F00801 / F01601 / F01602 / F01603 / F01604 / F01605			
Weight	12kg	30kg	30kg	42kg
Dimensions	L x W x H	L x W x H	L x W x H	L x W x H
	172x288x555mm	559x564x401mm	559x564x401mm	559x732x401mm

Nordland reserves the right to change any specification or design without prior notice.

