



**NORLAND
LIGHTING®**



Management System
ISO 9001:2015
www.nzl.com
ID: 8108087029



NZO Exia Zone 0 Area Light

OVERVIEW

The NZO Exia Zone 0 Area Light is a specialised intrinsically safe luminaire designed for use at the rock face and in other Zone 0 applications.

The NZO Exia Zone 0 Area Light is a low wattage high lumen, 120-degree output, battery driven

luminaire with a 10-hour operating time.

This robust IP65/IK08 fitting is designed for use in harsh conditions where conventional power is not available. The NZO Exia Zone 0 Area Light is manufactured with a UV stabilized

polycarbonate housing and a clear flame retarded polycarbonate lens. Specialised mounting options include a magnetic option for mounting on roof bolts making it ideal for handsfree operation. The luminaire is supplied with a 220v charger.

APPLICATIONS



MINING AND
SURFACE AREAS



OIL AND GAS



HAZARDOUS
AREAS

HAZARDOUS • UNDERGROUND

PERFORMANCE

Model Name	NZO Zone 0 Area Light
Wattages	8W
Nominal Lumens	1360lm
System Lumens	1200lm
System efficacy lm/W	150lm/W

LED AND OPTICS

Optics	120° standard
Expected lifetime	>50000
L70 rating	>50000, @40 C L70B10
Colour Rendering Index RA	>80
Colour Temperature	6000K
IES Files	Available on request, Professional Lighting study can be done at no cost to client

ELECTRICAL AND OPERATING

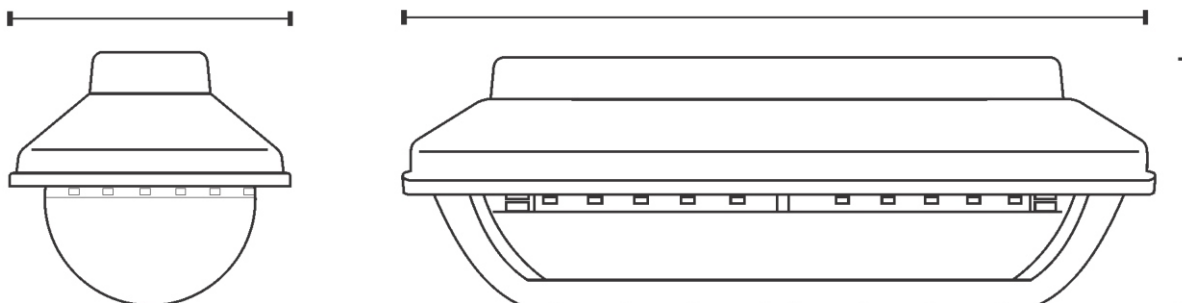
Driver	LED Constant Current
Operating temperature	-20°C to +40°C
Input voltage/Frequency	n/a Battery operated, Charge from 220VAC point
Input Current	n/a Battery operated, Charge from 220VAC point
Power Factor	>0.95
Surge Protection	N/A
Other options	Charger sold separately
Charge time	12 hours
Operating hours on full battery	10 hours

PRODUCT MATERIALS AND INSTALLATION

Housing	Polycarbonate UV stabilized
Lens	Polycarbonate UV stabilized
Gasket	Rubber Silicone cemented into groove
Finish	Standard Yellow, Other colour options available on request for both body, bracket and lens
Ingress Protection	IP65
IK Rating	IK08
Mounting Options	Magnetic roof bolt mounting standard
Spigot size	N/A

CERTIFICATIONS. STANDARDS EX	Ex ia Ima
	Complies to SANS 60079-0
	Complies to SANS 60598-1

DIMENSIONS



DIMENSIONS AND PACKAGING

Model	NZO Zone 0 Area LED
Wattage	8W
Dimensions mm (LxWxH)	280mm x 190mm x 78mm (excludes bracket)
Weight Kg (Unit / packaged)	2,5kg / 2,6kg

PHOTOMETRIC PERFORMANCE:

As photometric data and IES files differ according to the selected optics and wattages, these are available on request

52 Fransen str, Chamdor
 PO Box 2465
 Noordheuwel Ext 4
 1756
 South Africa

T: 010 442 2809
 E: sales@nordland.co.za
 W: www.nordland-lighting.com



Nordland reserves the right to change any specification or design without prior notice.

HAZARDOUS • UNDERGROUND