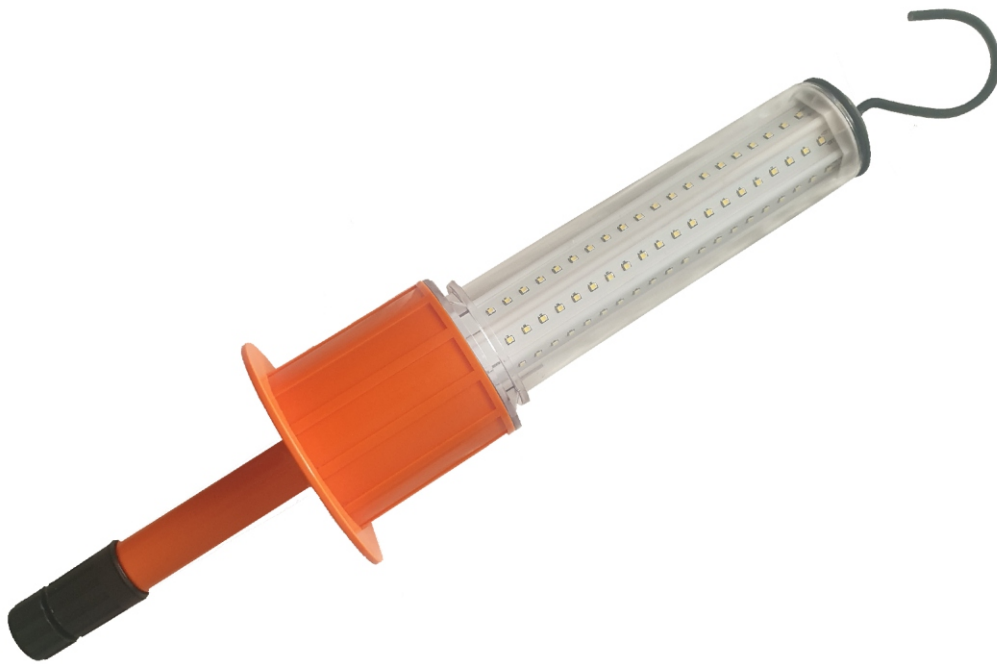




**NORDLAND
LIGHTING®**



Management System
ISO 9001:2015
www.tuv.com
ID: 9105987029



NHZ Zone 1, 2

OVERVIEW

The NHZ Handheld Exd LED Zone 1 and Zone 2 hazardous area luminaire is designed specifically as an inspection or task light for hazardous above surface mining and industrial operations that require reliable illumination in low to no light conditions. The luminaire is equipped with a 10 Meter power lead making it ideal for use in walkway, conveyor, substation, and roadway areas. A

unique feature is the Magnetic hook mount system, allowing for easy attachment to surfaces without the need for additional mounting hardware when tasks or inspections are performed. Constructed with a robust IK08 dustproof and waterproof housing, the handheld luminaire offers superior protection against harsh environmental elements. It features a

UV-stabilized polycarbonate housing and a clear, flame-retardant polycarbonate lens, providing exceptional 360-degree light output. This ensures both durability and safety in demanding conditions. The handheld luminaire is available in various wattages and is compatible with 110 Volt or 220 Volt.

APPLICATIONS



INDOOR
AREAS



OUTDOOR
AREAS



INDUSTRIAL
ENVIRONMENTS



MINING AND
SURFACE AREAS



OIL AND GAS

HAZARDOUS • MINING • INSPECTION

PERFORMANCE

Model Name	NHZ
Wattages	22W
Nominal Lumens	3190lm
System Lumens	2794lm
System efficacy lm/W	127lm/W

LED AND OPTICS

Optics	360° standard
Expected lifetime	>50000
L70 rating	>50000
Colour Rendering Index RA	>0,80
Colour Temperature	6000K

ELECTRICAL AND OPERATING

Driver	LED Constant Current
Operating temperature	-20°C to +40°C
Input voltage/Frequency	110 - 220VAC
Input Current	0,064 @ 220VAC; 0,128 @ 110VAC
Power Factor	>0.92

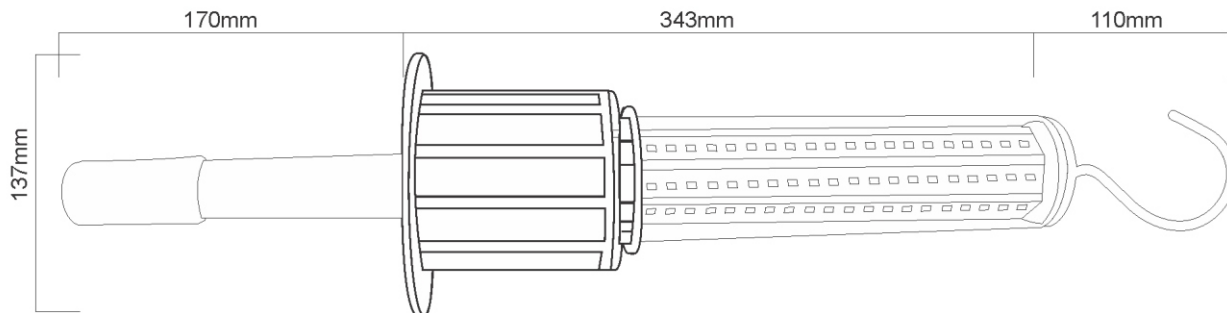
PRODUCT MATERIALS AND INSTALLATION

Housing	Polycarbonate UV stabilized
Lens	Clear - Other colour options on request
Gasket	Rubber Silicone cemented into groove
Finish	Orange
Ingress Protection	IP65
IK Rating	Ik08
Mounting Options	Handheld; Magnetic Hook



CERTIFICATIONS. STANDARDS

Exd IIB T6 GB
IA MASC S/22-2013 X

DIMENSIONS**DIMENSIONS AND PACKAGING**

Model	NHZ
Wattage	22W
Dimensions mm (LxWxH)	230 x 127 x 78mm
Weight Kg (Unit / packaged)	1,4kg / 1,6kg

ACCESSORIES

Only 10m lead to plug

52 Fransen str, Chamdor
PO Box 2465
Noordheuwel Ext 4
1756
South Africa

T: 010 442 2809

E: sales@nordland.co.za

W: www.nordland-lighting.com

VISIT OUR
WEBSITE



Nordland reserves the right to change any specification or design without prior notice.

HAZARDOUS • MINING • INSPECTION