



**NORDLAND
LIGHTING®**



NGB-LED

OVERVIEW

The NGB LED luminaire is an entry level, multi-purpose industrial workhorse that has been used extensively in both indoor and outdoor applications. With a variety of mounting options and superior lumen output from its 120-degree optics, it is suitable for use as a bulkhead,

floodlight or as a highbay in lower applications.

The long life NGB LED is supplied with 4 custom LED strips, a range of colour temperatures and in wattages ranging from 30 Watts to 57 Watts enabling customers to choose a fitting that most suits their lighting application.

Manufactured out of die cast LM6 Aluminium and a powder coat finish combined with a tempered glass lens, the NGB LED is a robust IP65/IK10 luminaire that can withstand the harshest of conditions.

A 6 Watt @1 hour emergency option is available on request.

APPLICATIONS



INDOOR
AREAS



OUTDOOR
AREAS



SPORTS
FACILITIES



INDUSTRIAL
ENVIRONMENTS



MINING AND
SURFACE AREAS



OIL AND GAS



WASHBAYS

FLOODLIGHT • BULKHEAD • HIGHBAY

PERFORMANCE

Model Name	NGB LED		
Wattages	30W	44W	57W
Nominal Lumens	4180lm	6270lm	8360lm
System Lumens	3300lm	4840lm	6270lm
System efficacy lm/W	110lm/W	110lm/W	110lm/W
Emergency Operation	6W @ 1hr 800lm EM version only		

LED AND OPTICS

Optics	120 deg standard
Expected lifetime	>54000
L70 rating	>54000 @80°C
Colour Rendering Index RA	>80
Colour Temperature	3000K, 5000K and 6500K available on request

ELECTRICAL AND OPERATING

Driver	LED Constant Current
Operating temperature	-20°C to +40°C
Input voltage/Frequency	220V-240 VAC \pm 10%, 50/60 Hz
Input Current	0,144A@30W; 0,211A@44W; 0,273A@57W
Power Factor	\geq 0.95
Surge Protection	4kV L /N to PE, 2kV L to N
Other options	10KV surge protection available on special request
	Custom wattages available on request

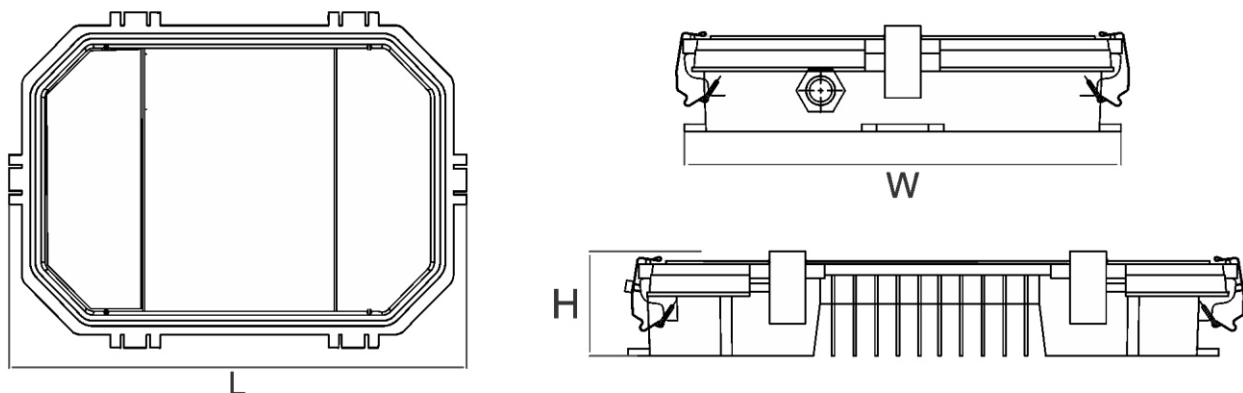
PRODUCT MATERIALS AND INSTALLATION

Housing	High Pressure Die Cast Lm6 Aluminium	
Lens	Tempered Glass	
Gasket	Rubber Silicone cemented into groove	
Finish	Powder Coated, black	Other colours available on special request
Ingress Protection	IP66	
IK Rating	IK10	
Mounting Options	Wall, Pole, Ceiling, Flood Trunnion arm optional	
Spigot size	N/A	

CERTIFICATIONS. STANDARDS

Complies to SANS 60598-1

Complies to SANS 1464-22 (EM VERSION ONLY)

DIMENSIONS**DIMENSIONS AND PACKAGING**

Model	NGB LED	
Wattage	30, 44, 57	
Dimensions mm (LxWxH)	425 x 305 x 75mm	
Weight Kg (Unit / packaged)	6kg	6,2kg

ACCESSORIES

Flood Trunnion arm
15 degree Wall mount bracket
Pole mount Bracket
Wire Guard
Double entry on request only

PHOTOMETRIC PERFORMANCE:

As photometric data and IES files differ according to the selected optics and wattages, these are available on request

WARRANTY:

Warranty - 5 years

52 Fransen str, Chamdor
 PO Box 2465
 Noordheuwel Ext 4
 1756
 South Africa

T: 010 442 2809
 E: sales@nordland.co.za
 W: www.nordland-lighting.com



Nordland reserves the right to change any specification or design without prior notice.