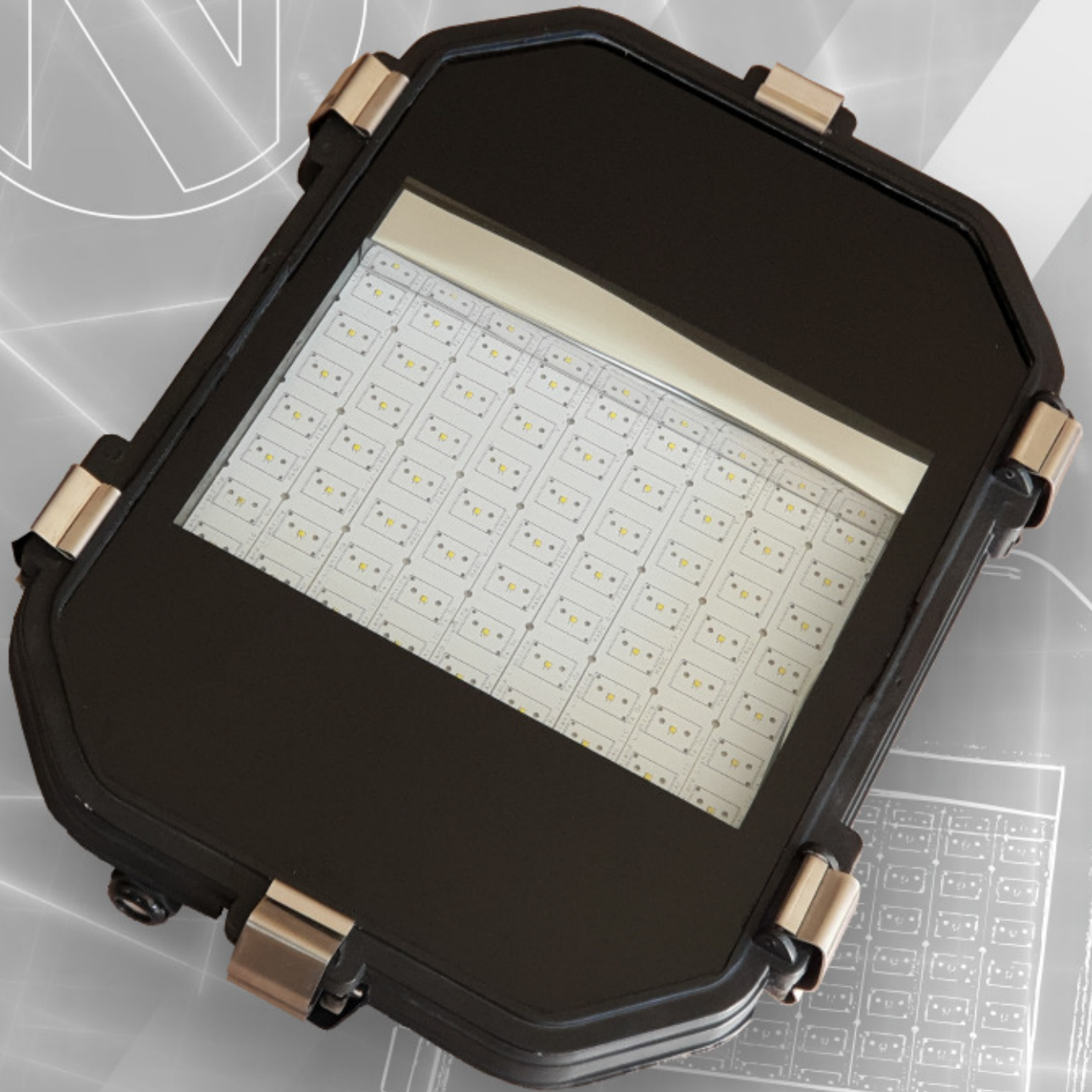


# NGBP Exn - LED

Zone 2, 21 & 22

FLOODLIGHT · BULKHEAD · HIGHBAY



**NORDLAND LIGHTING**

## NGBP Exn - LED

**Applications:** Industrial / Hazardous / Corrosive

**Housing:** Manufactured from Lm6 high pressure die cast aluminium, with a heavy duty toughened smooth clear glass refractor, fitted into a die cast aluminium frame.

**Frame:** The frame is fitted with 6 spring stainless steel fingertip latches which hold the frame in position.

**Gasket:** Round silicone sponge gasket retainer within a recess in the cast aluminium base provides a seal for outdoor use.

**Control Gear:** Constant Current LED driver 220V/240V, 50/60Hz

**Screws:** All external screws are made of stainless steel.

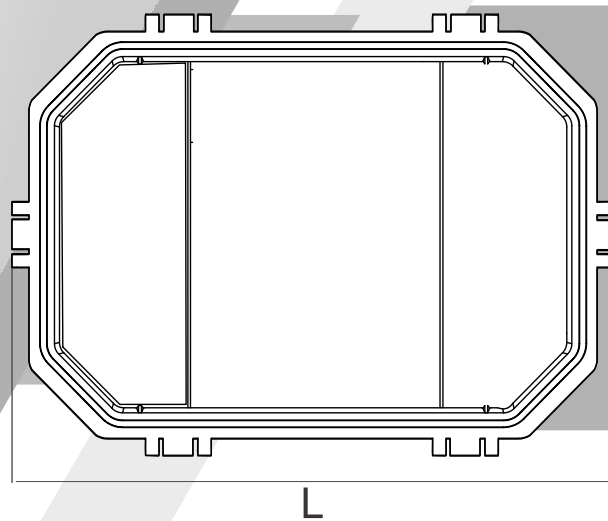
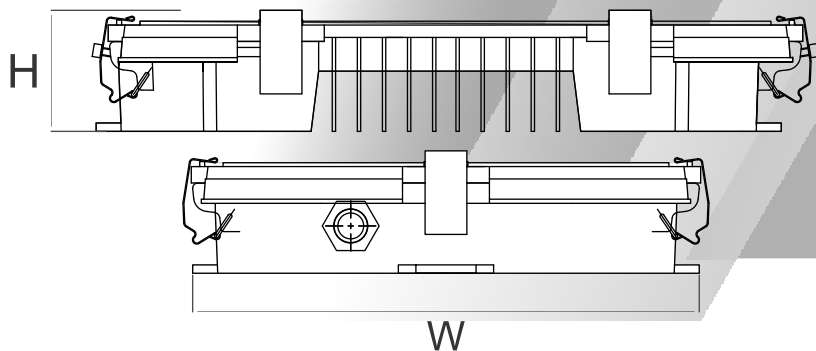
**Cable Entry:** Single compression gland for cable diameter 8-11mm.

**Mountings:** The body incorporates many choices of options including: flood, wall, ceiling brackets, angled wall brackets, anti-vibration brackets, pole mounting brackets and angled post top brackets.

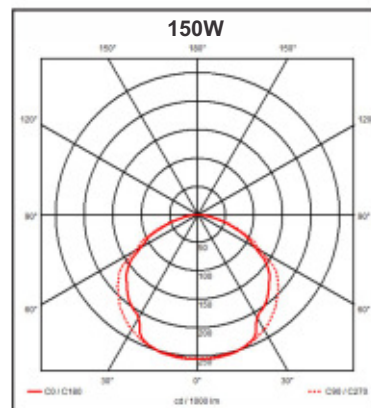
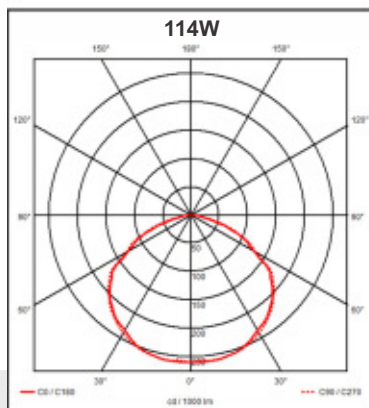
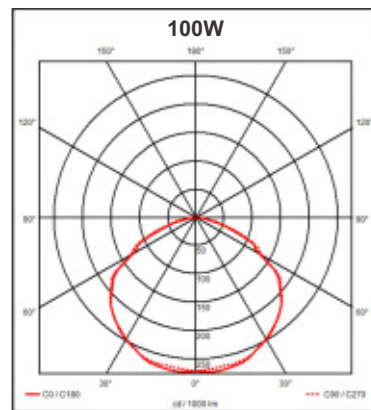
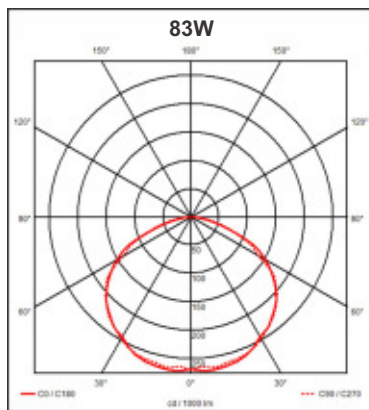
**LED:** The bulkhead is designed to take up to 9 x LED strips.

**Rated Lifetime:** 50 000 Hr. (L70/B10)

**Warranty:** 5 Years



## Photometric Data:



<b>Classification</b>	Zone 2 (Gas) & Zone 21 - Zone 22 (Dust)			
<b>Ex-mark</b>	Ex nA mb IIC T4 Gc IP65 / Ex tb IIIC T135°C Db IP65			
<b>Rated Voltage</b>	220V-240V AC, 50/60Hz			
<b>Rated Wattage(W)</b>	83W	100W	114W	150W
<b>Luminous Flux(LM)</b>	9680 lm	11616 lm	13552 lm	17424 lm
<b>Color Temperature</b>	5000K			
<b>IP Grade</b>	IP65			
<b>Ambient Temperature</b>	-20°C to +40°C			
<b>Cable Entry</b>	M20			
<b>Installation</b>	Flood / Ceiling / Wall / Pole			
<b>Beam Angle</b>	Symmetrical			
<b>Weight</b>	5,6kg (6kg boxed)			
<b>Dimensions</b>	L (length) 410mm	W (width) 303mm	H (height) 72mm	

Nordland reserves the right to change any specification or design without prior notice.

