

# Maxi FLOODLIGHT



**Permit No.  
2061/9658**



**SANS/IEC 60598-2-5**

**NF Maxi/IP 65** luminaire consists of two parts.

An exterior control-gear box and a separate lampholder/reflector compartment. The two units are assembled together to form an integral unit. Extreme temperature rises are limited by the separation of control gear and lamp.

Lamps options are mercury vapour, metal halide, and high pressure sodium 400 W and 250 W.

**Applications:**

Area Lighting  
Industrial Areas  
Security Lighting

**Ingress Protection: IP 65**

**NF Maxi**

<b>Nordland (Pty) Ltd</b> PO Box 522 Muldersdrift 1747 Tel (011) 662 4300 Fax (011) 662 4319 Email cyril@nordland.co.za	<b>Matelec (Pty) Ltd</b> Unit 13, Magnum Park 108 Bofors Circle Epping 2, Cape Town 7460 Tel (021) 534 9544 Fax (021) 534 7132 Email rushana@matelec.co.za	<b>Afrilite cc</b> Unit 10, Rossmead 14 Malone Road Westmead Industrial Park Pinetown 3610 Tel/Fax (031) 701 1119 Email afrilite@mweb.co.za	<b>Australia</b> Hella Australia (Pty) Ltd Southern Road Mentone Victoria 3194 Tel (3) 9581 9333 Fax (3) 9585 2654	<b>Indonesia</b> PT. Raphita Jaya Mandiri Jl Baturaden Raya No 135 Block IV/Utara, Perumahan Bumi Bekasi Baru, Pengasinan, Bekasi 17115 Tel (62) 021-8 24 26143
---	--	---	--	---

**Body Housing:** DMC Glass fibre reinforced polyester. Compression moulded, with silicone gasket.

**Control Gear Box:** DMC Glassfibre reinforced polyester, compression moulded.

**Gland:** Compression gland supplied. With PVC/SWA cable the appropriate size gland should be substituted on site.

**Control Gear:** 230 V 50 Hz SABS approved chokes, ignitors and capacitors are used with terminal block suitable for 4 mm<sup>2</sup>.

**Lamps:** Control gear supplied on request for,

- i. **High pressure Sodium:** 400 W, 250 W, Tubular lamp.
- ii. **Mercury:** 400 W or 250 W, Elliptical lamp.
- iii. **Metal Halide:** 400 W or 250 W, Tubular lamp.

**Gasket:** Silicone for heat resistance.

**Lampholder:** Porcelain E40 lamp holder.

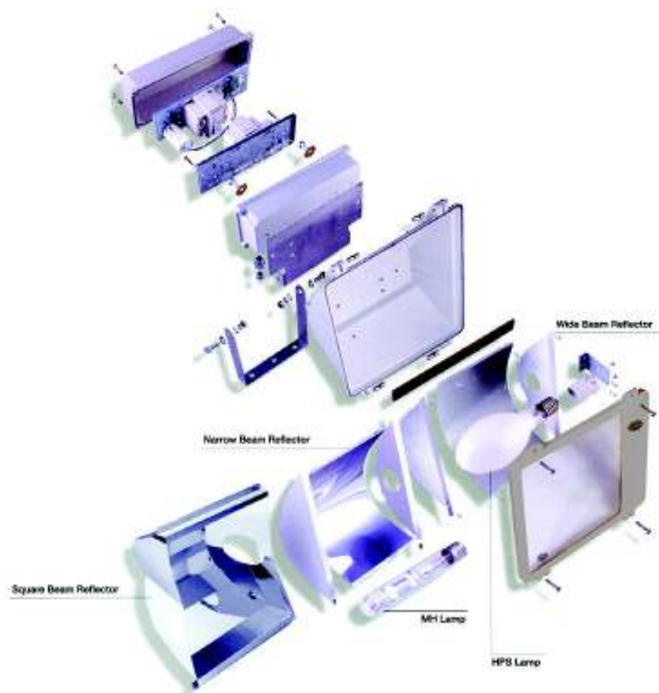
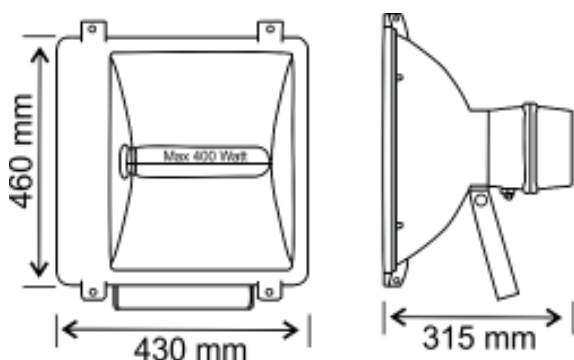
**Lens Frame:** DMC Glass fibre reinforced polyester. Compression moulded. Hinges allow access for lamp changing.

**Lens:** 4 mm thick armour plate glass, glued into the frame. This unit seals to the housing by compressing a silicone gasket.

**Construction:** The control gear box and lampholder/reflector housing are bolted together to form a single unit. An integral bracket in the head carries the weight of the control gear and supports the trunion bracket. The fibre glass housings carry no weight and only act as an enclosure. Designed to IP 65.

**Mounting:** Galvanised trunion bracket for wall mounting is supplied as standard. A pole-clamp can be ordered as an extra accessory.

**Reflector:** Normally hammered, alternative specular or with a louvre.



Catalogue Numbers	Wattage (W)	Line Current		Circuit Power (W)	Mass (kg)
		Starting (A)	Running (A)		
NF Maxi 250 W HPS	250 W	2.10	1.42	280 W	14
NF Maxi 400 W HPS	400 W	3.80	2.20	440 W	15
NF Maxi 250 W MH	250 W	3.00	1.50	275 W	14
NF Maxi 400 W MH	400 W	3.80	2.40	430 W	14
NF Maxi 250 W MV	250 W	2.60	1.35	275 W	13
NF Maxi 400 W MV	400 W	4.20	2.10	430 W	14