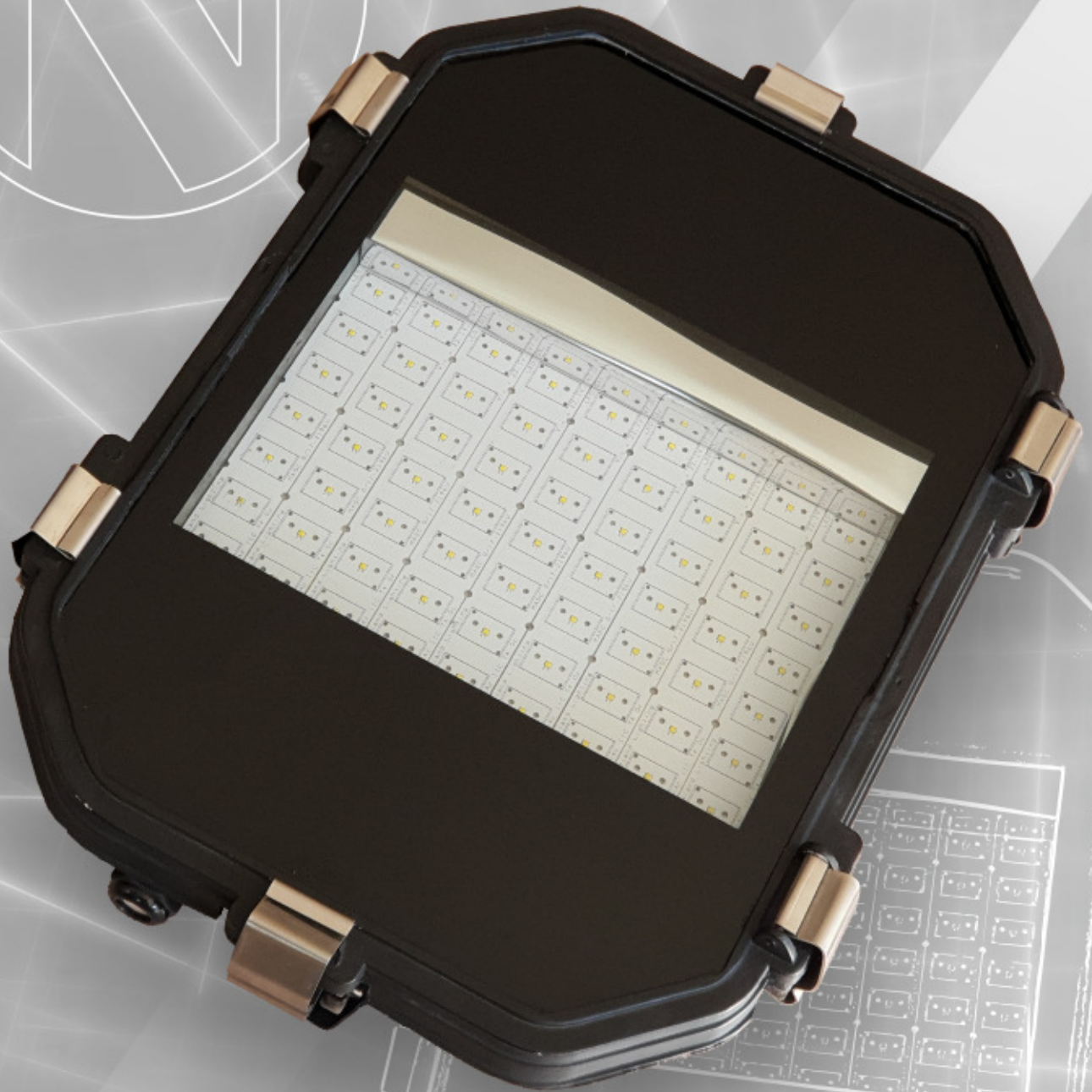


NGBP Exn - LED

Zone 2, 21 & 22

FLOODLIGHT · BULKHEAD · HIGHBAY



NORDLAND LIGHTING

NGBP Exn - LED

Applications: Industrial / Hazardous / Corrosive

Housing: Manufactured from Lm6 high pressure die cast aluminium, with a heavy duty toughened smooth clear glass refractor, fitted into a die cast aluminium frame.

Frame: The frame is fitted with 6 spring stainless steel fingertip latches which hold the frame in position.

Gasket: Round silicone sponge gasket retainer within a recess in the cast aluminium base provides a seal for outdoor use.

Control Gear: Constant Current LED driver 220V/240V, 50/60Hz

Screws: All external screws are made of stainless steel.

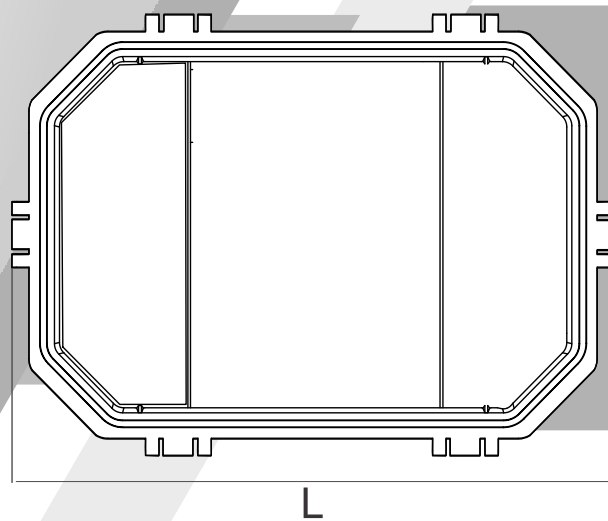
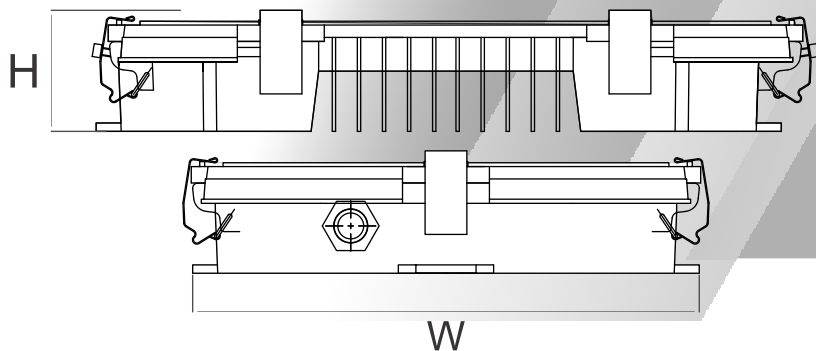
Cable Entry: Single compression gland for cable diameter 8-11mm.

Mountings: The body incorporates many choices of options including: flood, wall, ceiling brackets, angled wall brackets, anti-vibration brackets, pole mounting brackets and angled post top brackets.

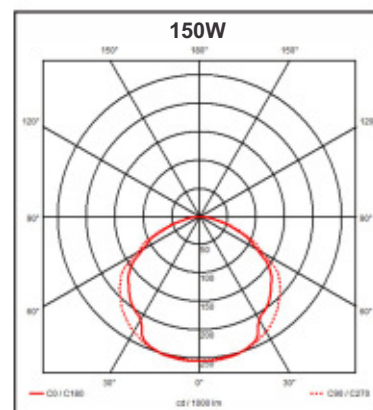
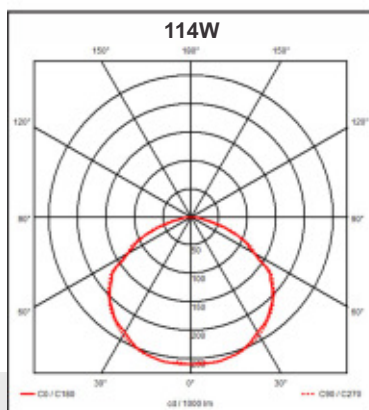
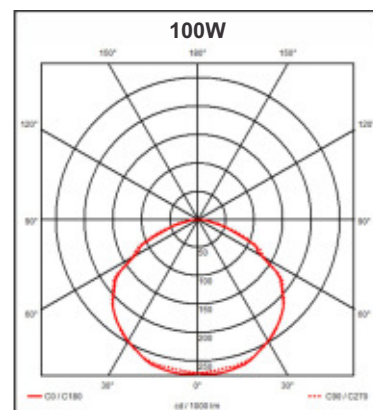
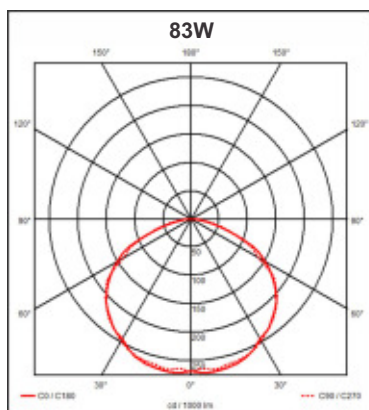
LED: The bulkhead is designed to take up to 9 x LED strips.

Rated Lifetime: 50 000 Hr. (L70/B10)

Warranty: 5 Years



Photometric Data:



Classification	Zone 2 (Gas) & Zone 21 - Zone 22 (Dust)			
Ex-mark	Ex nA mb IIC T4 Gc IP65 / Ex tb IIIC T135°C Db IP65			
Rated Voltage	220V-240V AC, 50/60Hz			
Rated Wattage(W)	83W	100W	114W	150W
Luminous Flux(LM)	9680 lm	11616 lm	13552 lm	17424 lm
Color Temperature	5000K			
IP Grade	IP65			
Ambient Temperature	-20°C to +40°C			
Cable Entry	M20			
Installation	Flood / Ceiling / Wall / Pole			
Beam Angle	Symmetrical			
Weight	5,6kg (6kg boxed)			
Dimensions	L (length) 410mm	W (width) 303mm	H (height) 72mm	

Nordland reserves the right to change any specification or design without prior notice.

