

# NST-LED Streetlight

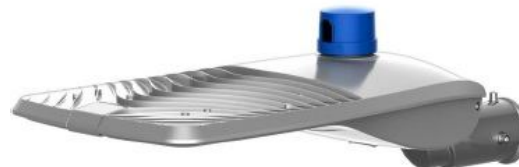


The **NST-LED** consist of a die-cast aluminium alloy with Anti-Static and Anti-UV body polyester epoxy powder coating for outdoor application. Side and bottom spigot entry with 4 x stainless steel grub screws. The LED engine and LED driver can be easily removed or replaced for maintenance or upgrade installations. The power supply would automatically be off when opening the luminaire. The luminaire has superior operating temperature stability from -30°C to +50°C. A streamline arc-shape cooling fins accelerates airflow enhancing the heat dissipation performance of the luminaire. Additional Intelligent Photocell Control for Daylight Sensor, Timing Control, Solar Control and 1-10V Dimming Control (Locking type photocell device 3-pin NEMA socket) available on request.

## 5-year warranty

## Applications

- Parking lighting
- Toll plazas lighting
- Freeway Lighting
- Main arterial roads
- Roundabouts
- Security Lighting



Intelligent Photocell Control (optional)

**Ingress Protection: IP66**



## AGENTS

Western Cape  
Matelec  
[rushana@matelec.co.za](mailto:rushana@matelec.co.za)

KZN  
Afrilite  
[afriLite@nwed.co.za](mailto:afriLite@nwed.co.za)

Eastern Cape  
Farad Agencies  
[farad@iafrica.com](mailto:farad@iafrica.com)

Vaal Triangle  
Lighting 2000  
[drew@lighting2000.co.za](mailto:drew@lighting2000.co.za)

Lighting 2020  
[nunnsca@gmail.com](mailto:nunnsca@gmail.com)

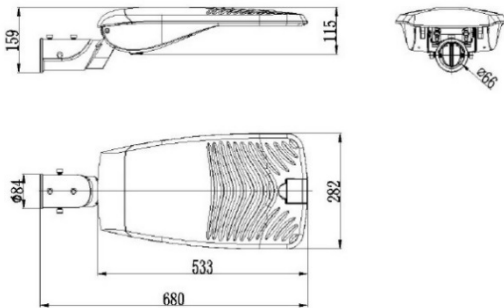
PML (Moz.)  
[baptista.homo@pierlite.co.mz](mailto:baptista.homo@pierlite.co.mz)

Purcee Industrial Controls  
[patrick@purcee.net](mailto:patrick@purcee.net)

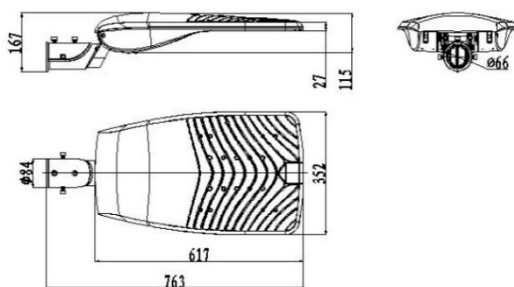
## Technical Specifications

Model Name	NST09-LED STREETLIGHT				NST07-LED STREETLIGHT		
Power Consumption	30W	50W	70W	90W	120W	150W	180w
Corrected Colour Temperature	5000K						
Luminous Flux	3600lm	6000lm	8400lm	10800lm	14400lm	18000lm	21800lm
Colour Rendering Index	Ra70 / Ra80						
Mains Voltage	100 – 277VAC						
Mains Frequency	50-60Hz						
Driver Intelligent	Constant current						
Luminous Efficiency (system)	120lm/W						
Power Factor	>0.93						
Mounting type	Side and Bottom entry pole mounting						
Ambient Temperature	-30°C to +50°C						
Weight	6.5kg		6.8kg		9.2kg		
Rated Lifetime	50000Hrs. (L70 @30°C)						
Beam Angle	R17601 and R17602						
Ingress Protection	IP66						
Dimensions (mm)	680x282x159				763x352x167		

## Dimensions

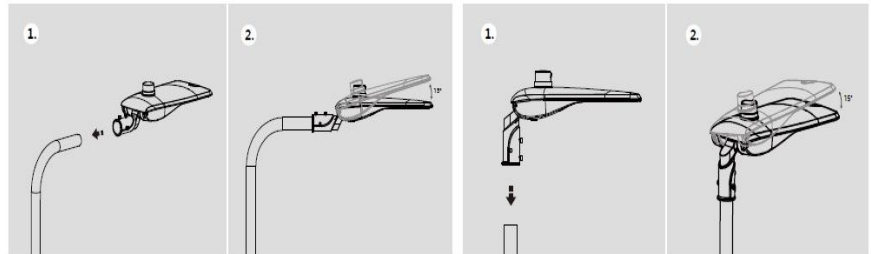


**NST09-LED 30W;50W;70W;90W**

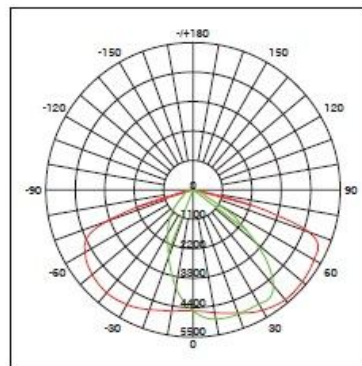


**NST07-LED 120W;150W;180W**

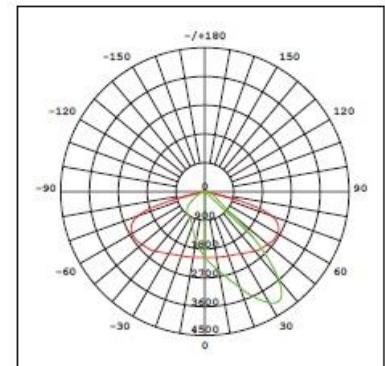
## Mounting options



## Photometric Diagrams



**Optic R17601**



**Optic R17602**

BD-PFC-029-f7 Rev.1 (Feb. 2017)

*Nordland (Pty) Ltd. reserves the right to change any specification or design without prior notice*