

# NGB HB LED



The **NGB HB LED** bulkhead luminaire range has been designed for indoor and outdoor lighting installations and industrial applications and security lighting applications. This weather-proof bulkhead luminaire range is suitable for ceiling, wall or pole mounting.

## APPLICATIONS:

- Industrial Lighting
- Conveyor Lighting
- Security Lighting

Permit No.  
2061/9658



SANS/IEC 60598-2-1

Ingress Protection: IP65



**AGENTS**

Western Cape  
Matelec  
[rushana@matelec.co.za](mailto:rushana@matelec.co.za)

KZN  
Afrilite  
[afrite@urweb.co.za](mailto:afrite@urweb.co.za)

Eastern Cape  
Farad Agencies  
[farad@iafrica.com](mailto:farad@iafrica.com)

Vaal Triangle  
Lighting 2000  
[drew@lighting2000.co.za](mailto:drew@lighting2000.co.za)

Lighting 2020  
[nunnsca@gmail.com](mailto:nunnsca@gmail.com)

PML (Moz.)  
[baptista.homo@pierlite.co.mz](mailto:baptista.homo@pierlite.co.mz)

Purcee Industrial Controls  
[patrick@purcee.net](mailto:patrick@purcee.net)

**Housing:** Manufactured from LM6 high pressure die cast aluminium, with a heavy duty toughened smooth clear glass refractor, fitted into a die cast aluminium frame.

**Frame:** The frame is fitted with 6 spring stainless steel fingertip latches which hold the frame in position. The hinged frame is reversible for easy installation.

**Gasket:** Round silicone sponge gasket retained within a recess in the cast aluminium base provides a seal for outdoor use.

**Control Gear:** Constant Current LED 700mA driver 220V/240V, 50/60Hz

**Screws:** All external screws are made of stainless steel.

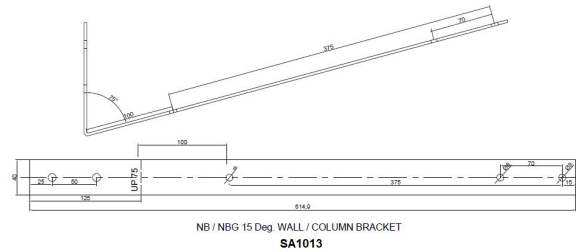
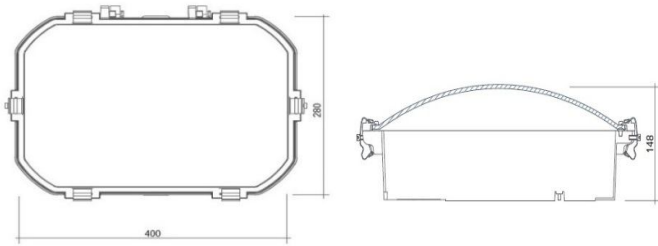
**Cable entry:** Single compression gland for cable diameter 8-11mm.

**Emergency Version:** The bulkhead is suited for use as a self-contained LED emergency lighting luminaire.

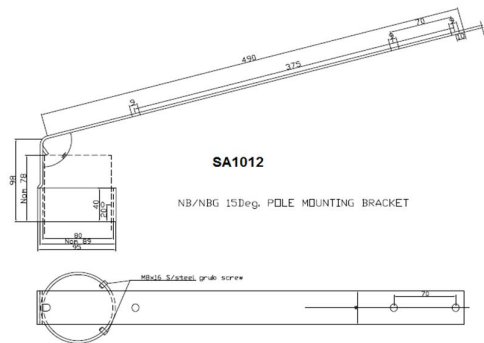
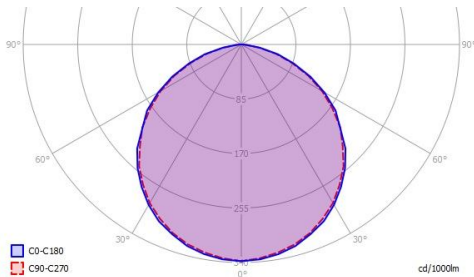
**Mountings:** the body incorporates many choices of options including: wall and ceiling brackets, angled wall brackets, anti-vibration brackets, pole mounting bracket and angled post top brackets.

**LED:** The bulkhead is designed to take 2 x LED open strip boards. Other optic light distributions available on request.

**Rated life time:** 50000 Hr. (L70/B10)



**Photometric data**



Catalogue Number	Wattage (W)	Lumen	Length (mm)	Width (mm)	Height (mm)
NGB HB LED	47W	5879	400	280	148

BD-PFC-027-F7 Rev. 1 (Jan.2017)

*Nordland reserves the right to change any specification or design without prior notice.*

Tel 011 662 - 4300 | Fax 011 662 - 4319 | [sales@nordland.co.za](mailto:sales@nordland.co.za) | [www.nordland-lighting.com](http://www.nordland-lighting.com)