

BJD321-LED Emergency



ZONE 1 & ZONE 2, ZONE 21 & 22 LED Emergency



The **BJD321 LED** Explosion Proof Double Head Emergency Lighting provides long life, high reliability aluminium housing designed for hazardous areas. The double LED lamps are adjustable to 360° allowing you to focus light where you need it. The LED luminaire is designed for Zone 1, Zone 2, Zone 21 and 22 classification areas. Copper free content aluminium alloy powder coating (Grey) body. Acid/Hydrocarbon resistant silicone gasket for temperatures of -50°, shock and temperature resistant borosilicate glass lens ensure strong impact resistance. Heavy duty Ni-Mh battery for reliable operation up to 55°C ambient. Self-test, monitoring and diagnostics to reduce maintenance checks. Brown-out and short circuit protection.

APPLICATIONS

- Oil industry
- Mining Industry
- Metallurgical industry.
- Chemical & Petrochemical plants.
- On & off shore plants.
- Fuel loading & Unloading areas.

Ex Protection: Ex d ib IIC T6 Gb / Ex tb IIIC T6 D
Ingress Protection: IP65



AGENTS

Western Cape
Matelec
rushana@matelec.co.za

KZN
Afrilite
afritelite@rnwep.co.za

Eastern Cape
Farad Agencies
farad@iafrica.com

Vaal Triangle
Lighting 2000
drew@lighting2000.co.za

Lighting 2020
nunnsca@gmail.com

PML (Moz.)
baptista.homo@pierlite.co.mz

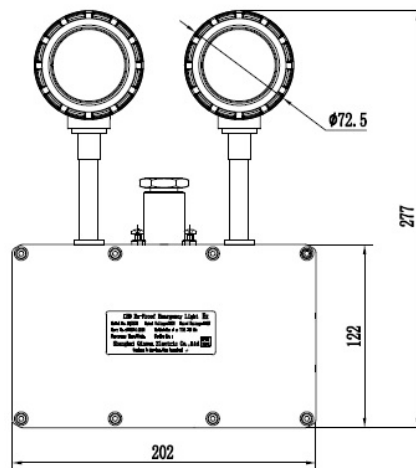
Purcee Industrial Controls
patrick@purcee.net

BJD321 LED Zone 1 & 2, 21,22 Double Head Emergency

Product Specification

Model Name	BJD321-LED Zone 1&2 Double Head emergency
Power Consumption	2 x 3W (6W)
Corrected Colour Temperature	5000K
Luminous Efficiency (system)	110Lm /W
Luminous Flux (fixture lumen efficiency)	2 x 330lm (660 lumens)
Colour Rendering Index	>85
Application area	Corrosive, wet and dust areas
Mains Voltage	AC/DC 220V
Mains Frequency	50- 60 Hz
Driver	Constant current
LED Configuration	CREE high efficiency LED's
Power Factor	0.98
Cable Entry	M16 x1.5
Mounting type	Pendant / wall mounting flanges
Ambient Temperature	-20 to +40°C
Weight	3.2 Kg
Battery Specification	Heavy duty Ni-Mh battery
Ingress Protection	IP65
Lens	Shock and temp. resistant borosilicate glass
Emergency Duration	Min. 90 minutes

Dimensions



Accessories available

- Different installation methods
- Different LED colour temperatures (°K)
- Cable gland / terminal box

BD-PFC-031-F7 Rev. 1 (March 2017)

Nordland reserves the right to change any specification or design without prior notice

Tel +27(0)11 662 - 4300 | Fax +27(0)11 662 - 4319 | sales@nordland.co.za | www.nordland-lighting.com