

NCL – LED Canopy



The **NCL-LED** canopy luminaire is a high-performance **LED** luminaire for indoor and outdoor applications. Designed for recessed, surface & suspension mounting. The luminaire is manufactured from Aluminum Alloy and the Tempered Glass has a IK08 rating. The luminaire offers an excellent lumen package of up to 160 lm/w when supplied with the 5000K LED chip set. Smart controls such as a Motion Sensor and DALI dimmable are available as an option. An Emergency back-up version are also available. Built in 10kV Surge protection comes standard.

5-year warranty

APPLICATIONS

- Canopy Lighting
- Vehicle showrooms
- Warehouse lighting
- Conference Hall lighting

Ingress Protection: IP66



Recessed Mount



Surface Mount



Suspension Mount



AGENTS

Western Cape
Matelec
rushana@matelec.co.za

KZN
Afrilite
afrilite@nwed.co.za

Eastern Cape
Farad Agencies
farad@iafrica.com

Vaal Triangle
Lighting 2000
drew@lighting2000.co.za

Lighting 2020
nunnsca@gmail.com

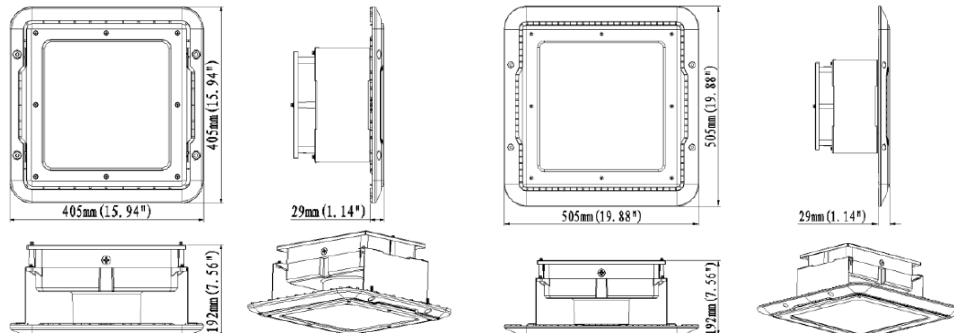
PML (Moz.)
baptista.homo@pierlite.co.mz

Purcee Industrial Controls
patrick@purcee.net

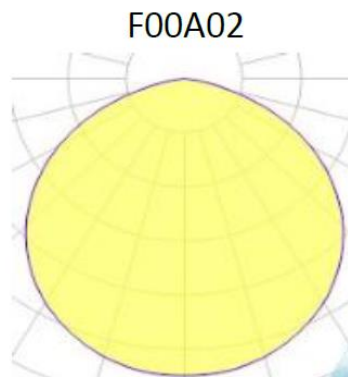
Technical Specifications

Model Name	NCL-LED Canopy					
Power Consumption	50W	80W	100W	120W	150W	200W
Corrected Colour Temperature	5000K (3000K & 4000K available on request)					
Luminous Flux	8000lm	12800lm	16000lm	19200lm	24000lm	32000lm
Colour Rendering Index	Ra70 / Ra80					
Mains Voltage	100 – 240VAC / 100-277VAC					
Mains Frequency	50-60Hz					
Driver Intelligent	Constant current					
Luminous Efficiency (system)	160lm/W					
Power Factor	>0.90					
Mounting type	Recessed, Surface and Suspension Mounting					
Ambient Operating Temperature	-30°C to +50°C					
Weight	8.3kg	8.4kg	8.7kg	10.9kg	11kg	11.1kg
Rated Lifetime	50000Hrs. (L70 @30°C)					
Beam Angle	F00A02 (120° beam angle)					
Ingress Protection	IP66					
Dimensions	405x405x192mm			505x505x192mm		

Dimensions:



Light Distribution Curve:



BD-PFC-038-f7 Rev. 1 (April 2017)

Nordland (Pty) Ltd. reserves the right to change any specification or design without prior notice