

# NHO HIGHBAY



Control gear housing in GRP.  
Suspension hooks carry the weight of the light fitting during installation.  
Ventilated reflector assembly with keyhole slots for easy assembly.

**Permit No.**  
**2061/9658**



**SANS/IEC 60598-2-1**

**Applications:**

Clean Areas, Factories  
Indoor Parking Garages  
Warehousing  
Storage Area

**Ingress Protection: IP 20**

**NHO**

<b>Nordland (Pty) Ltd</b> PO Box 522 Muldersdrift 1747 Tel (011) 662 4300 Fax (011) 662 4319 Email cyril@nordland.co.za	<b>Matelec (Pty) Ltd</b> Unit 13, Magnum Park 108 Bofors Circle Epping 2, Cape Town 7460 Tel (021) 534 9544 Fax (021) 534 7132 Email rushana@matelec.co.za	<b>Afrilite cc</b> Unit 10, Rossmead 14 Malone Road Westmead Industrial Park Pinetown 3610 Tel/Fax (031) 701 1119 Email afrilite@mweb.co.za	<b>Australia</b> Hella Australia (Pty) Ltd Southern Road Mentone Victoria 3194 Tel (3) 9581 9333 Fax (3) 9585 2654	<b>Indonesia</b> PT. Raphita Jaya Mandiri Jl Baturaden Raya No 135 Block IV/Utara, Perumahan Bumi Bekasi Baru, Pengasinan, Bekasi 17115 Tel (62) 021-8 24 26143
---	--	---	--	---

**Control Gear box:** DMC glass fibre reinforced polyester, compression moulded in two sections.

**Gasket:** Silicone gasket for long life.

**Control Gear Tray:** A galvanised control gear tray, mounted onto the top of the control gear box carries the weight of the control gear

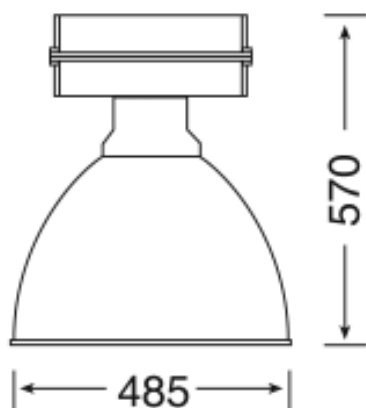
**Control Gear:** Options are 400 W high pressure sodium, 400 W Mercury, 250 W High pressure sodium and 250 W Mercury vapour alternatively metal halide 44 W and 250 W.

**Construction:** The lampholder and reflector retaining screws are mounted on the hinging lower section which allows access to the 4 mm<sup>2</sup> rated terminal block. Control gear is not encapsulated into the housing.

**Reflector:** Spun bright anodised ventilated aluminium reflector with keyhole slots for easy installation.

**Lamps:** The reflector is designed for elliptical lamps only, E40 base.

**Mounting:** Blind M6 inserts are recessed into the lid and allow the use of hooks for easy installation. Alternatively a flat bracket can be used for ceiling mounting.



Catalogue Numbers	Lamp Type (W)	Watts (W)	Line Current		Circuit Watts (W)	Mass (kg)
			Starting (A)	Running (A)		
NHO 250 W HPS	250 W/E	250 W	2.10	1.42	280 W	8.5
NHO 400 W HPS	400 W/E	400 W	3.80	2.20	440 W	9.0
NHO 250 W MH	250 W/E	250 W	3.00	1.50	275 W	8.5
NHO 400 W MH	400 W/E	400 W	3.80	2.40	430 W	9.0
NHO 250 W MV	250 W/E	250 W	2.60	1.35	275 W	8.0
NHO 400 W MV	400 W/E	400 W	4.20	2.10	430 W	8.5