



NBRF/IP 65 with flat diffuser and **NBRD/IP 65** with dome diffuser are architecturally designed bulkheads for use with compact fluorescent lamps. The clean modular design of these vandal resistant bulkheads makes them ideal features to form interesting architectural lighting design elements along walkways, façades and stairs.

**Permit No.
2061/9658**



SANS/IEC 60598-2-1

Applications:

- Retail Lighting
- Service Areas
- Commercial and Housing Developments
- Public Lighting
- Indoor and Outdoor Applications

Ingress Protection: IP 65

Nordland (Pty) Ltd PO Box 522 Muldersdrift 1747 Tel (011) 662 4300 Fax (011) 662 4319 Email cyril@nordland.co.za	Matelec (Pty) Ltd Unit 13, Magnum Park 108 Bofors Circle Epping 2, Cape Town 7460 Tel (021) 534 9544 Fax (021) 534 7132 Email rushana@matelec.co.za	Afrilite cc Unit 10, Rossmead 14 Malone Road Westmead Industrial Park Pinetown 3610 Tel/Fax (031) 701 1119 Email afrilite@mweb.co.za	Australia Hella Australia (Pty) Ltd Southern Road Mentone Victoria 3194 Tel (3) 9581 9333 Fax (3) 9585 2654	Indonesia PT. Raphita Jaya Mandiri Jl Baturaden Raya No 135 Block IV/Utara, Perumahan Bumi Bekasi Baru, Pengasinan, Bekasi 17115 Tel (62) 021-8 24 26143
---	--	---	--	---

Body Housing: Thin wall, manufactured from LM6 die cast aluminium base and trim ring. Finished in black epoxy powder coated.

Diffuser: Injection-moulded, one piece non-discolouring high impact and thermal resistance UV stabilized with high impact acrylic diffuser smooth interior and exterior opal visor, to SASS specifications.

Gasket: Captive silicone gasket provides seal for outdoor use. Ideal for wet or dust locations.

Lamp holder: Only G24-d compact type fluorescent lamps are suitable.

Control Gear: 230 V/50 Hz magnetic switch start ballast or electronic control gear and capacitors are used with terminal block suitable for 4 mm².

Screws: Captive stainless steel screws operate through the diffuser flange for easy location.

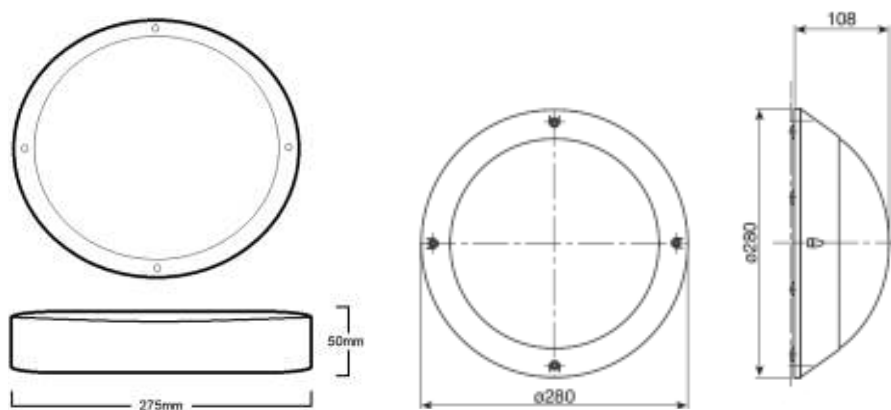
Lamps: The bulkhead can be supplied with one or two 18 W and 26 W compact fluorescent lamps as well as with 15 W, 32 LED Osram Duris E5 module.

Conduit entry: 20 mm ET entry is provided at the back of the bulkhead.

Emergency Version: The bulkhead is suited for use as a self-contained for compact fluorescent lamps and LED emergency lighting luminaire. Internal self- tested inverter charger and battery pack, are mounted on the control gear tray. Maintained and non-maintained modes.

Reflector: The reflector system is manufactured from mild steel sheet, formed for extra strength and finished in hard baked white epoxy paint.

Ingress protection: IP65



Catalogue Number	Wattage (W)	Diameter (mm)	Height (mm)	Circuit wattage		Mass (Kg)
				Switch start	Electronic	
NBRF 1x18 W CFL	18 W	275	50	25 W	19 W	1.3
NBRF 2x18 W CFL	36 W	275	50	27 W	38 W	1.6
NBRF 1x26 W CFL	26 W	275	50	33 W	28 W	1.65
NBRF 15 W LED	15 W	275	50	15 W	15 W	1.13
NBRD 1x18 W CFL	18 W	275	50	25 W	19 W	1.01
NBRD 2x18 W CFL	36 W	275	50	27 W	38 W	1.09
NBRD 1x26 W CFL	26 W	275	50	33 W	28 W	1.10
NBRD 15 W LED	15 W	275	50	15 W	15 W	1.13